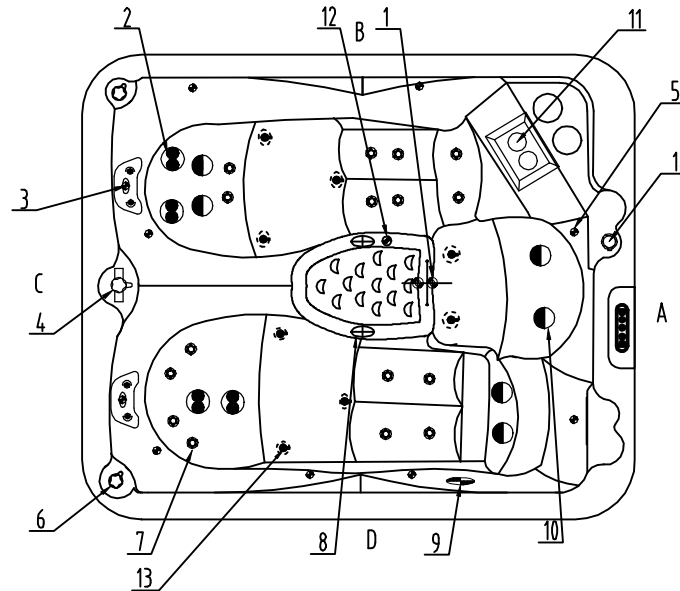


Notes: Due to manufacturing tolerances, there could be some minor differences between the actual spa and the drawing above. If site planning is critical to such tolerances, be sure to measure your actual spa. All specifications are subject to change without notice. Some components may be optional on your spa.

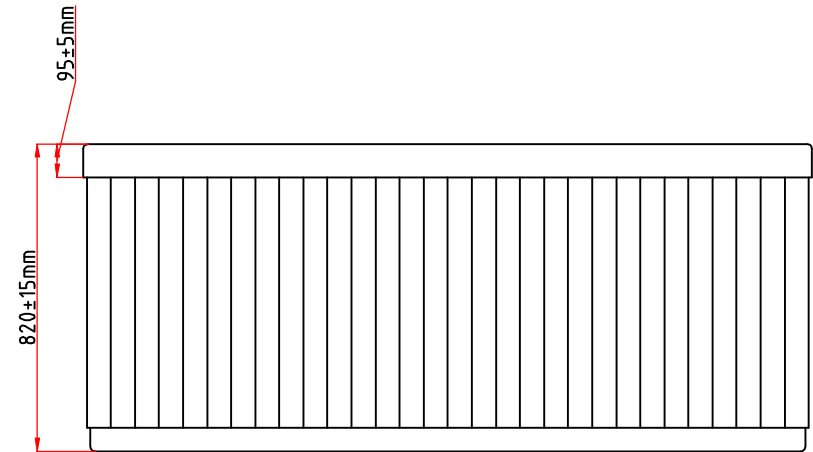
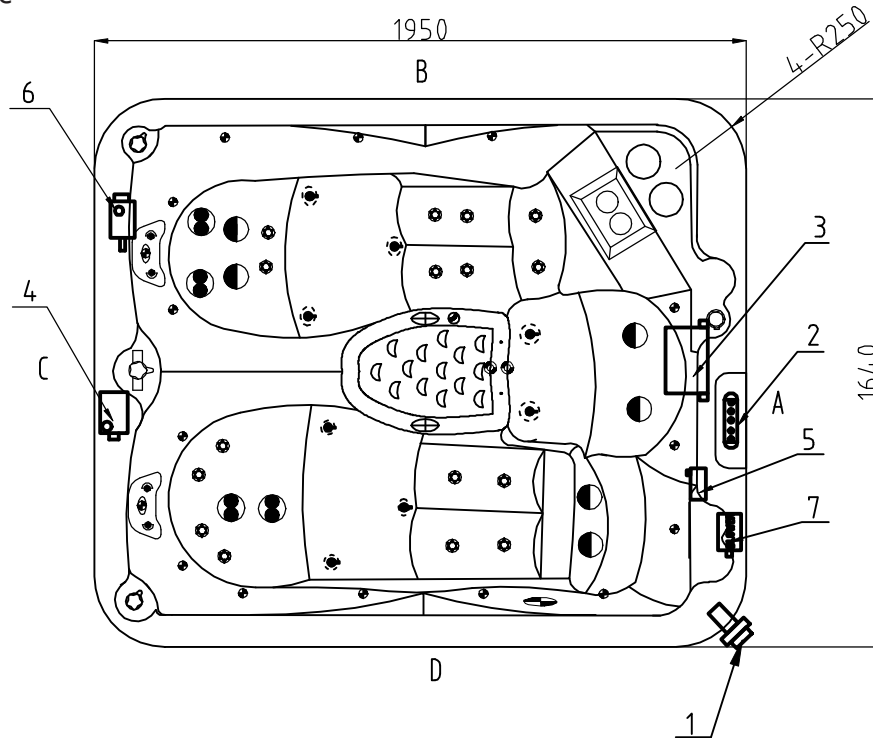








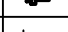
Notes: Due to manufacturing tolerances, there could be some minor differences between the actual spa and the drawing above. If site planning is critical to such tolerances, be sure to measure your actual spa. All specifications are subject to change without notice. Some components may be optional on your spa.

12		Stainless steel Low Drain - 3/4" Slip	01.03.04.0342	1	pcs
11		Twin cylinder skimmer	01.03.03.0737	1	PCS
10		Large 3" Jet Internal-Single Pulse	01.03.04.0160	6	PC
9		5" Light Housing Without Holder	01.03.03.0108	1	pcs
8		2" Suction (full set)	01.03.03.0248	2	PCS
7		2" Jet Internal-Directional	01.03.04.0158	16	PC
6		1" Air Check Valve Assembly	01.03.03.0659	2	PCS
5		MINI-LED light cover	01.03.03.0066	8	PC
4		2" Water Diverter Valve	01.03.03.0660	1	pcs
3		Butterfly Headrest-Light Grey	01.03.03.0377	2	PC
2		4" Jet Internal-Twin Pulse	01.03.04.0163	4	PC

14		Aromatherapy	01.03.04.0326	1	PCS
13		1" air injector assembly	01.03.04.0076	8	PC
NO.	Icon	Description	Part #	Qty	Unit

1		Ozone Nozzle(Standard Grey)	01.03.03.0129	2	PC
NO.	Icon	Description	Part #	Qty	Unit
Edition:11/8/2018			ZC.RX170.0003		



7		Blower	01.03.05.0031	1	pc
6		Circulation Pump	01.03.05.0525	1	pc
5		CP Ozone Generator	01.03.05.0035	1	pc
4		3HP Single Speed Pump	01.03.05.0502	1	pc
3		Control Box	01.03.05.0687	1	pc
2		Control Panel	01.03.05.0689	1	pc
1		Drain Valve	01.03.03.0450	1	pc
NO.	Icon	Description	Part #	Qty	Unit

Notes: Due to manufacturing tolerances, there could be some minor differences between the actual spa and the drawing above. If site planning is critical to such tolerances, be sure to measure your actual spa. All specifications are subject to change without notice. Some components may be optional on your spa.