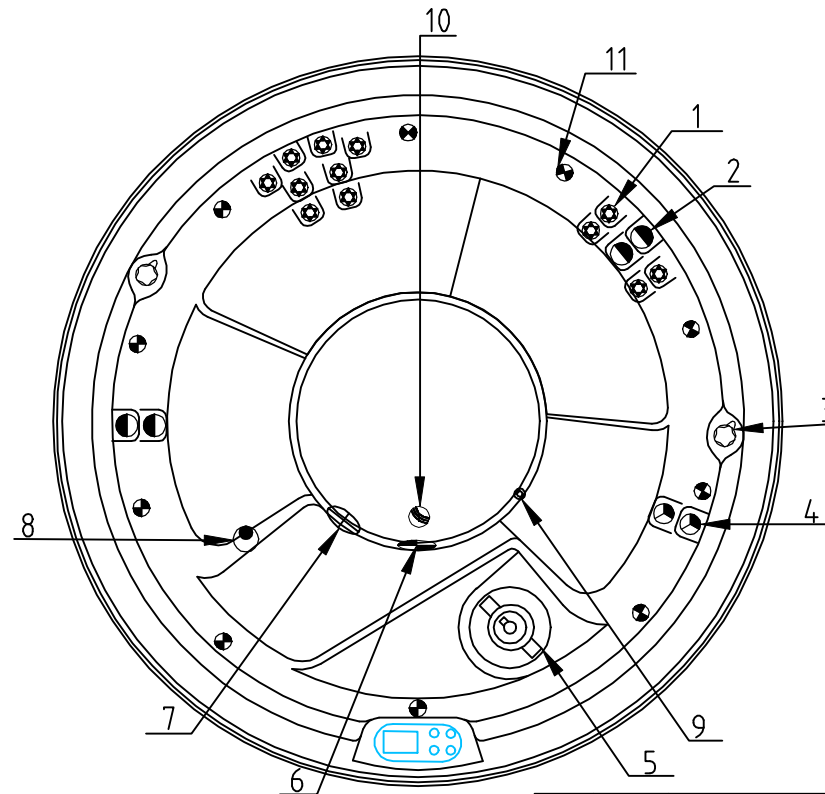
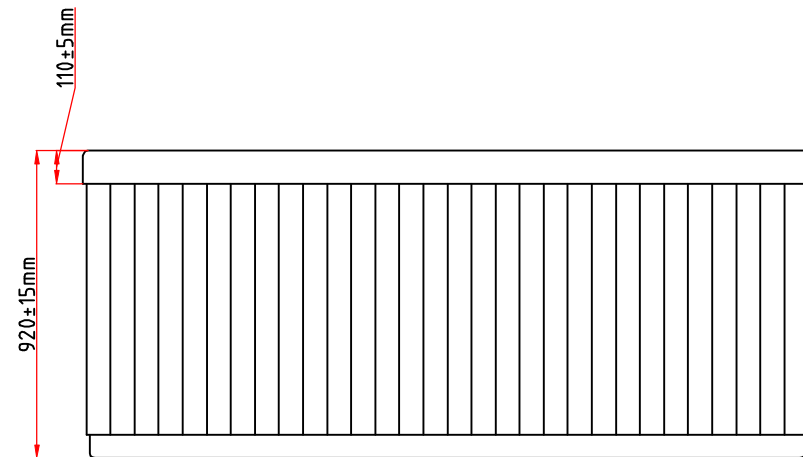
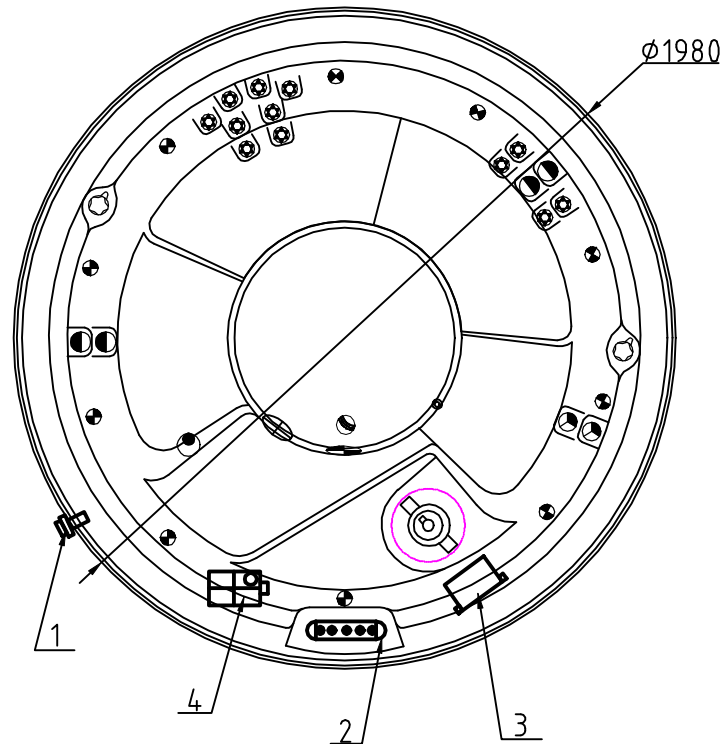


Notes: Due to manufacturing tolerances, there could be some minor differences between the actual spa and the drawing above. If site planning is critical to such tolerances, be sure to measure your actual spa. All specifications are subject to change without notice. Some components may be optional on your spa.



11		MINI-LED light cover	01.03.03.0066	10	pc
10		Plastic Low Drain - 3/4" Slip	01.03.04.0098	1	pcs
9		Ozone Nozzle(Standard Grey)	01.03.03.0129	1	pc
8		4" Jet Internal-Single Pulse	01.03.04.0358	1	pcs
7		2" Suction (full set) - Plastic Face	01.03.03.0248	1	pc
6		5" Light Housing Without Holder	01.03.03.0108	1	pc
5		2" Floating Filter	01.03.03.0099	1	pc
4		Large 3" Jet Internal-Directinal	01.03.04.0354	2	pcs
3		1" Air Check Valve Assembly	01.03.04.0349	2	pc
2		3" Jet Internal-Single Pulse	01.03.04.0357	4	pc
1		2" Jet Internal-Directional	01.03.04.0353	12	pcs
NO.	Icon	Description	Part #	Qty	Unit

Notes:Due to manufacturing tolerances, there could be some minor differences between the actual spa and the drawing above. If site planning is critical to such tolerances, be sure to measure your actual spa. All specifications are subject to change without notice. Some components may be optional on your spa



4		Double Speed Pump	01.03.05.0497	1	pc
3		Control Box	01.03.05.0666	1	pc
2		Control Panel	01.03.05.0667	1	pc
1		Drain Valve	01.03.03.0450	1	pc
NO.	Icon	Description	Part #	Qty	Unit

Notes: Due to manufacturing tolerances, there could be some minor differences between the actual spa and the drawing above. If site planning is critical to such tolerances, be sure to measure your actual spa. All specifications are subject to change without notice. Some components may be optional on your spa.

Edition: 3/9/2018

ZC.RA310.0001